

GB 49470

Safety folding step ladder with handrail




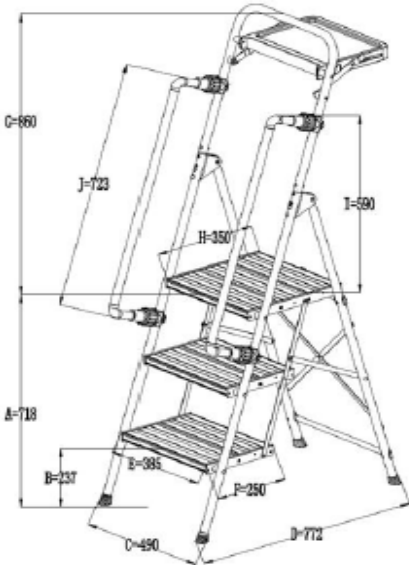
Warning: Falling from the ladder



Instructions for use and safety instructions

Components/Scope of delivery

- 1 x basic frame
- 1 x Safety bar with integrated shelf
- 2 x Folding handrails
- 4 x screws long,
- 4 x screws short,
- 8x round head nuts

Typ / Type	49470
	
	
Stufen / Steps	3
Gewicht / Weight	9,8 kg
Max. Belastung / Max. Load	150 kg
A (mm)	718
B (mm)	237
C (mm)	490
D (mm)	772
E (mm)	385
F (mm)	250
G (mm)	860
H (mm)	350
I (mm)	590
J (mm)	723

Assembly and mounting

Remove all parts from the packaging, paying special attention to the small package with the nuts and bolts.

- 1. Set up the base frame:** Place the base frame, see picture, on a flat surface and spread out the step completely.



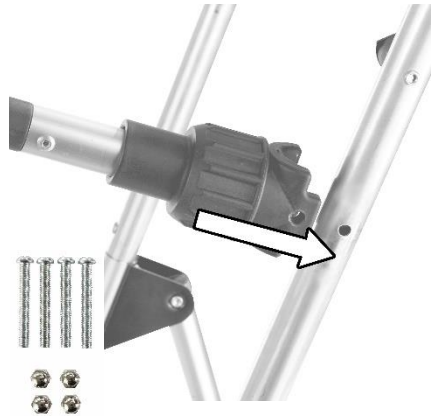
- 2. Mount the safety bar:**

Now take the safety bracket and put it on the base frame. Make sure it is aligned correctly (tray is on the back). Make sure that the safety bar is fully inserted in the base frame and that the two holes of the main frame are aligned with those of the safety bar. Then select the 4 short screws and 4 cap nuts (2 per side) and connect them by placing the screws from the front and the cap nuts from the back, as shown in the picture



3. Mount the handrails:

Then take the two handrails and mount them on the step, if desired. First, the respective holes of the handrail must be flush with those on the ladder frame. Then take the 4 long screws and the 4 cap nuts and fasten the handrail. The cap nut is on the inside, the screw is tightened from the outside.



4. **Handrails opening and fixing.** To fix the handrails, unfold them and tighten the sleeve over the screw thread by hand until the cap completely covers the thread.



To unscrew, proceed in reverse order. Loosen the cap by unscrewing it completely from the thread. Then fold the handrails inwards to save space. Then loosen the locking lever on the rear section of the top platform to fold the ladder together. To fix the handrails, unfold

them and tighten the sleeve over the screw thread by hand until the cap completely covers the thread.

- 5. Fold the tray out and in:** To unfold the tray, pull it upwards until it locks horizontally. To release the lock, please pull outwards at the end of the two lateral struts of the tray, then the tray can be folded down again.

General information



Read and keep the instructions for use before first use

These instructions for use belong to this safety folding step ladder with handrail (hereinafter referred to as "ladder"). It contains

important information on safety and handling. Read the instructions carefully, especially the safety instructions, before using the ladder. Failure to comply with these instructions for use may result in serious injury or damage to the ladder. The instructions for use are based on the standards and regulations valid in the European Union. When abroad, also observe country-specific guidelines and laws. Keep the instructions for use for future use. If you pass the ladder on to a third party, be sure to include these instructions for use.

Intended use The ladder is designed exclusively as a climbing aid for one person and a maximum load of 150 kg. It can be used as a stepladder. Only use the ladder as described in these instructions for use. Any other use is considered improper and may result in damage to property or even personal injury. The ladder is not a child's toy. The manufacturer or dealer accepts no liability for damage caused by improper or incorrect use

Explanation of signs The following symbols are used in this instruction manual and/or on the ladder. They show important information and must be read carefully before first use.

Safety



Warning, Danger of falling from the ladder



This symbol gives you useful additional information



Follow the instructions for use



Warning!

This signal symbol/word indicates a hazard with a medium level of risk which, if not avoided, may result in death or serious injury.

Notice! This signal word warns of possible damage to property



Warning!

Danger of choking! If children swallow small parts or packaging parts or put packaging parts over their heads, they can suffocate. - Keep small parts and packaging away from children.



Maximum load capacity 150kg



Do not use the ladder on an uneven or unstable surface.



Avoid leaning out to the side



Do not place the ladder on a contaminated surface.



Maximum Users



It is not permitted to climb sideways from the ladder onto another surface.



Open the ladder completely before use.

Check the ladder before use



Do not use the ladder in case of physical limitations. Certain health conditions, medication, alcohol or drug abuse may cause a safety hazard when using the ladder.



Check ladder after delivery. Visually inspect ladder for damage and safe use before each use. Do not use a damaged ladder.



Do not walk on the work tray, max. load capacity 10 kg

In the context of an occupational use, a risk assessment must be carried out taking into account the legislation in the country of use;

Ensure that the ladder is suitable for the particular use;
Do not use a damaged ladder

Do not use a ladder that has been contaminated, for example by wet paint, dirt, oil or snow.

Do not modify the construction of the ladder

1. Positioning and setting up the ladder

1.1 Remove locking devices, if any.

1.2 Position the ladder on a level, horizontal surface with a firm base.

1.3 When setting up, ensure that there is no collision with other objects, pedestrians, vehicles or animals. Lock windows in the working area, if possible.

1.4 WARNING: Danger from electricity!



Identify any electrical hazards in the work area, e.g. overhead power lines or other exposed electrical equipment, and do not use the ladder in locations where there are electrical hazards.

1.5 Do not place ladders on slippery, wet surfaces (e.g. ice, bare surfaces or significantly contaminated solid surfaces) unless additional measures are taken to prevent the step from slipping or to ensure that the contaminated areas are adequately clean

2. Use of the ladder



Risk of injury and crushing!

Improper assembly or handling of the ladder creates risks that can lead to injuries and crushing.

Check the secure fit of the steps before each use.

Check the ladder for a faultless and undamaged condition and functionality before each use.

Take care of your hands and fingers when folding.

2.1 Do not exceed the maximum permissible load of 150kg for the particular type of ladder.

2.2 Do not lean out too far; users should hold their belt buckle (navel) between the stiles and stand with both feet on the same step/rung;

2.3 Do not step sideways off the ladder onto another surface.

2.4 Do not stay on the ladder for too long without regular breaks (fatigue is a risk).

2.5 Use non-conductive ladders for unavoidable live work.

2.6 Take precautions to prevent children from playing on the ladder.

2.7 Lock doors (but not emergency exits) and windows in the work area if possible.

2.8 Only climb up or down when looking at the ladder direction.



2.9 Wear suitable shoes when climbing the ladder



2.10 Avoid work that causes lateral loading on ladders, e.g. lateral drilling through solid materials.



2.11 When using a ladder, do not carry equipment that is heavy or unwieldy.



2.12 Avoid work that causes lateral loading when stepping, e.g. lateral drilling through solid materials.

2.13 Stepladders must not be used as single ladders unless they are designed for that purpose.



2.14 Do not move the ladder while standing on it.

2.15 Only use the ladder with the spreader safety device in place.

2.16 Only use the ladder handles when they are screwed down and locked in place

3. Repair, maintenance and storage

3.1 Repairs and maintenance to the ladder must be carried out by a competent person and in accordance with the manufacturer's instructions.

NOTE: A competent person is someone who has the knowledge to carry out repairs or maintenance, e.g. by attending a manufacturer's training course.

3.2 When repairing and replacing parts, such as feet, contact the manufacturer or dealer if necessary.

3.3 In case of repair and replacement of parts, e.g. feet, contact the

manufacturer or dealer if necessary.

3.4 Ladders shall be stored in accordance with the manufacturer's instructions.

3.5 Ladders made of or containing thermoplastic, duromer plastic and reinforced plastic should be stored away from direct sunlight.

3.6 Ladders made of wood should be stored in a dry place and must not be covered with opaque and vapour-proof coatings.

3.7 Important considerations when storing steps (not in use) should include at least the following:

- Is the step stored away from areas where its condition could deteriorate more quickly (e.g. moisture, high temperatures, exposed to the elements)?
- Is the ladder stored where it cannot be damaged by vehicles, heavy objects or dirt?
- Is the ladder stored where it is not a trip hazard or an obstacle?
- Is the ladder stored where it cannot easily be used for criminal purposes?
- If the ladder is permanently installed (e.g. on a scaffold), is it ensured that it is not used by unauthorised persons (e.g. children)?

4. The right care and storage

Check the components and mechanisms of the ladder from time to time.

Lubricate the mechanisms of the ladder at regular intervals. Apply the lubricant carefully to avoid getting lubricant on the rungs and stiles of the ladder.

The following must be considered during regular inspections:

Check that stiles/legs (upright parts) are not bent, curved, twisted, dented, cracked, corroded or rotten;

Check that spars/legs around fixing points for other parts are in good condition;

Check that fixings (rivets, screws, bolts) are not missing and are not loose or corroded;

Check that steps/rungs are not missing and are not loose, badly worn, corroded or damaged;

Check that joints between front and rear are not damaged, loose or corroded;

Check that latch remains in horizontal position, rear rails and corner stiffeners are not missing and are not bent, loose, corroded or damaged;

Check that rung hooks are not missing, damaged, loose or corroded and can be properly hooked onto the rungs;

Check that guide brackets are not missing, damaged, loose or corroded and that they engage properly with the rail;

Check that treads/foot caps are not missing, loose, badly worn, corroded or damaged;

Check that the entire ladder is free from contamination (e.g. dirt, paint, oil or grease);

Check that the locking catches (if any) are not damaged or corroded and are working properly;

Check that no parts or fixings of the platform (if any) are missing and that the platform is not damaged or corroded.

Check that the handrails (if fitted) are firmly bolted to the ladder.

Check the retaining devices of the fold-out tray.

If any of the above checks do not give a satisfactory result, the step should NOT be used.

For special types of steps, other points specified by the manufacturer must be taken into account.

Store the ladder in a clean and dry place.

Always hold the ladder firmly when carrying it.

Never store materials on the ladder except on the tray provided when in use.

Always keep the ladder clean and free of any material that does not belong to the step.

Clean the ladder after each use.

Check the components and mechanisms from time to time.

Lubricate the mechanisms of the ladder at regular intervals. Apply the lubricant carefully to avoid getting it on the rungs and stiles of the ladder..

Potential causes of accidents

The following incomplete list of risks gives typical hazards and examples of common causes of accidents when using ladders.

Consider the risks mentioned when using the ladder as a basis for safe working in order to avoid accidents.

a) Loss of stability

1. wrong choice of ladder (e.g. ladder too short, unsuitable use).
2. wrong position of ladder (e.g. wrong set-up angle for single ladders or not fully opened stepladders).
2. incorrect position of the ladder (e.g. incorrect set-up angle in the case of single ladders or not fully opened in the case of stepladders).
3. the lower end of the ladder slipping outwards (e.g. the lower end slipping away from the wall in the case of single ladders).
4. slipping sideways, tipping of single ladders (e.g. due to leaning out too far or insufficient grip on the top step).
5. falling away to the side.
6. the condition of the ladder (lack of anti-slip feet on lean-to ladders);
7. climbing away from an unsecured ladder at height;
8. condition of the ground (e.g. unstable, soft ground, sloping ground, slippery surfaces or contaminated solid surfaces);
9. adverse weather conditions (e.g. wind);
10. impact with the ladder (e.g. vehicle or door).

b) Incorrect handling

1. raising the ladder to the position of use.
2. setting up and dismantling the ladder.

3. carrying objects when climbing the ladder.

c) Slipping, stumbling and falling

1. unsuitable footwear.
2. dirty rungs. 3. careless behaviour by the user (e.g. taking two steps at once, sliding down the rails).
3. reckless behaviour of the user (e.g. taking two steps at once, sliding down the stiles).
4. condition of the floor (e.g. unstable, soft floor, sloping floor, slippery surfaces or contaminated solid surfaces).

d) Failure of the ladder construction

1. poor condition of the ladder (e.g. damaged stiles, wear/tear, change in plastic parts due to sunlight).
2. overloading of the ladder.
3. use not in accordance with the intended purpose.

e) Electrical hazards

1. incorrect selection of the type of ladder for electrical work.
2. unavoidable work under electrical conditions.
3. placing the ladder in the direct vicinity of live electrical equipment (e.g. high-voltage overhead lines).
4. damage to electrical equipment by conductors (e.g. covers or protective insulation).

ATTENTION!!! The returns will be impossible if products were damaged because of incorrect use.

DISPOSAL: The packaging material is recyclable. Dispose of the packaging in an environmentally friendly manner and take it to the collection of recyclable materials. Dispose of the item in an environmentally friendly manner if you wish to part with it. The step does not belong in household waste. Dispose of it at a recycling centre. You can get more information from your local municipal administration.

Importer Art. No. 49470/ AFS103A

Designation: Safety folding step ladder with handrail

Eurotops Versand GmbH
Elisabeth-Selbert-Straße 3
40764 Langenfeld, Germany
www.eurotops.de



Order No.: 00003
Order Date: 12/2022

Made in China

For technical support, please contact one of the following options:

in Germany	01805 30 63 63* or info@eurotops.de
in Austria	0720 204 001 or info@eurotops.at
in Switzerland	071/27 4 68 06 or info@eurotops.ch
in the Netherlands	020262 1958 or info@eurotops.nl
in France	0892 700 470** or info@eurotops.fr
in Belgium	070 663 665*** or info@eurotops.be

If you need to return the goods, please address them to the returns address on your invoice. *14 cents/min. from a German landline, max. 42 cents/min. from a German mobile network.



www.tuv.com
ID 1111250509